

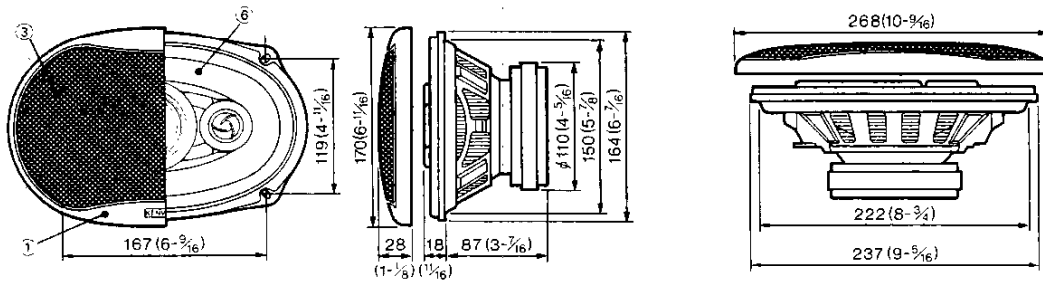
KFC-HQ690

SERVICE MANUAL

KENWOOD

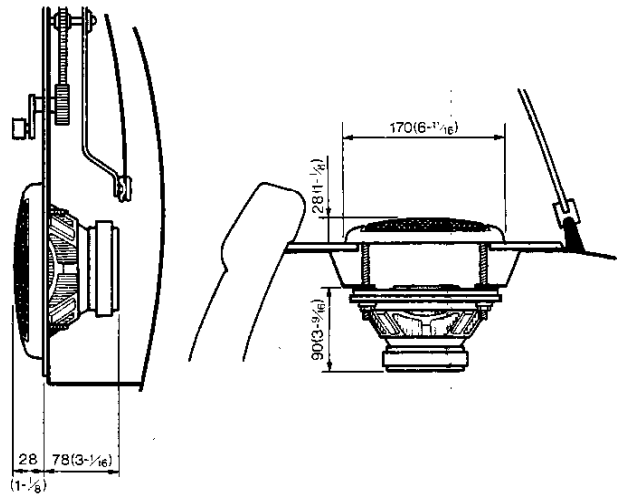
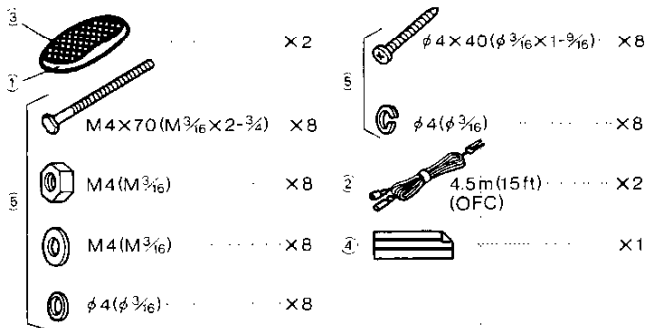
©1991-11 PRINTED IN JAPAN
B51-6394-00 (MC) 1517

EXTERNAL VIEW



unit: mm (inch)

PARTS INCLUDED



SPECIFICATIONS

| | |
|--------------------------------|--|
| Speakers | |
| Woofer | 153 × 229mm (6 × 9in) Injection P.P. Cone Type, 510g (18oz) Magnet |
| Mid-Range | φ70mm (2- ³ / ₄ in) Resin-Coated Cone Type |
| Tweeter | φ25mm (1in) P.I. Film Balance Dome Type |
| Peak Power | 200 Watts |
| Frequency Response | 28Hz ~ 30,000Hz |
| Sensitivity | 92 dB/W at 1m |
| Impedance | 4 Ohms |
| Weight Per Speaker with Grille | 4,840g (10.7 lb)/Pair |

We follow a policy of advancements in development.
For this reason specifications may be changed without notice.

PARTS LIST

*New parts

Parts without **Parts No.** are not supplied.
Les articles non mentionnés dans le **Parts No.** ne sont pas fournis.

Teile ohne **Parts No.** werden nicht geliefert.

| Ref. No. | New Parts | Parts No. | Description |
|----------|-----------|--------------|----------------|
| ① | * | B 06-0698-08 | GILLE ASSY |
| ② | * | E 30-5116-08 | CORD SET (OFC) |
| ③ | * | F 09-1034-08 | PROTECTOR |
| ④ | | J 69-0103-08 | VISCOUS TAPE |
| ⑤ | * | N 99-1220-08 | SCREW SET |
| ⑥ | * | T 15-0206-08 | SPEAKER |